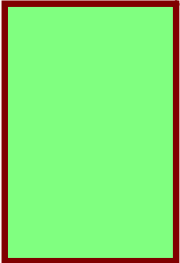


eDEMO

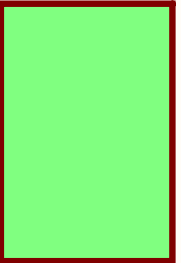
Rev 8.1.2

AVR / Serial Flash



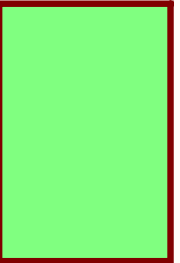
AVR_Flash.SchDoc

Accelerometer



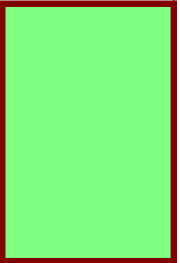
Accelerometer.SchDoc

LEDs



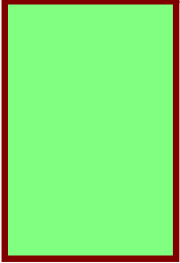
LEDS.SchDoc

Power Supply



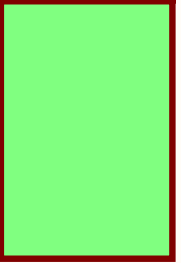
Power_Supply.SchDoc

I2C



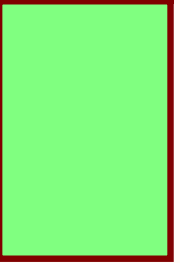
I2C.SchDoc

Light Sensor

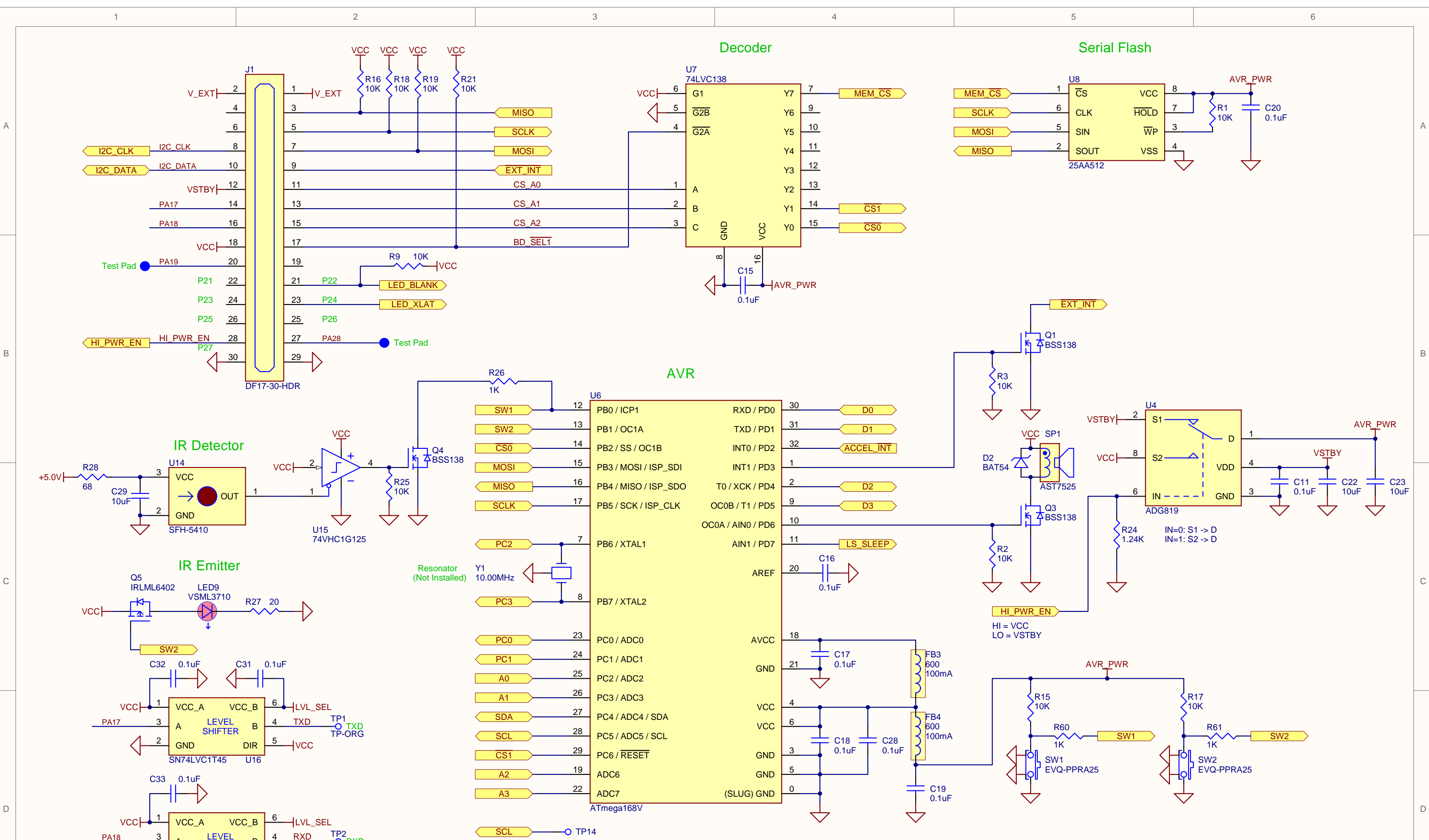


Light_Sensor.SchDoc

I/O

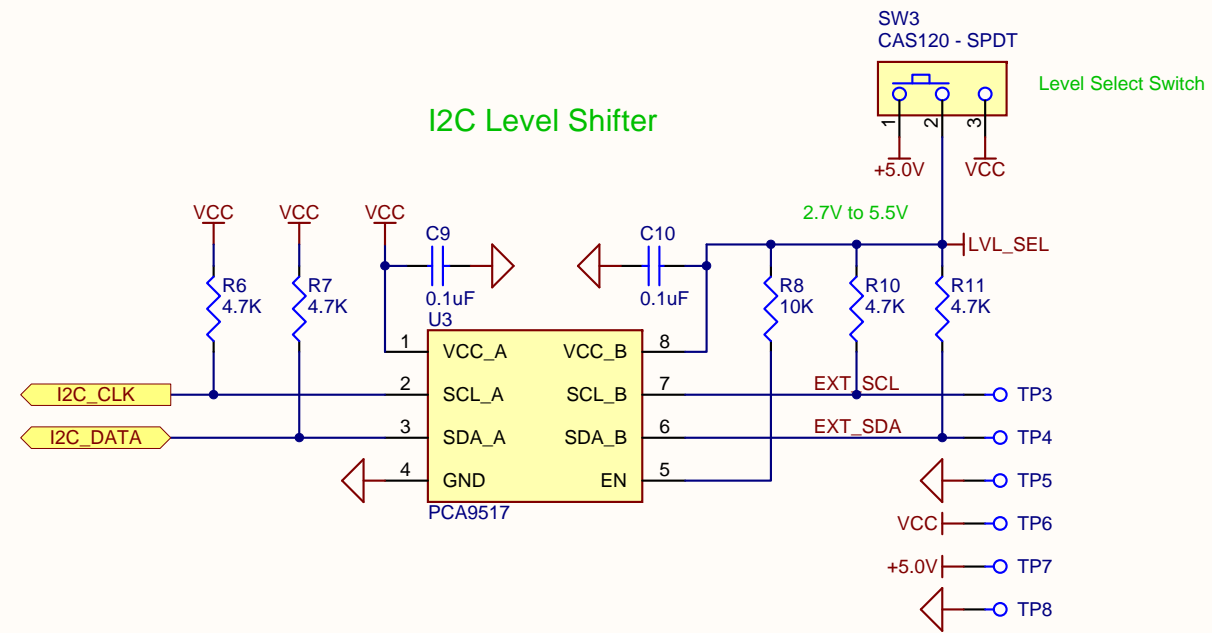


IO.SchDoc



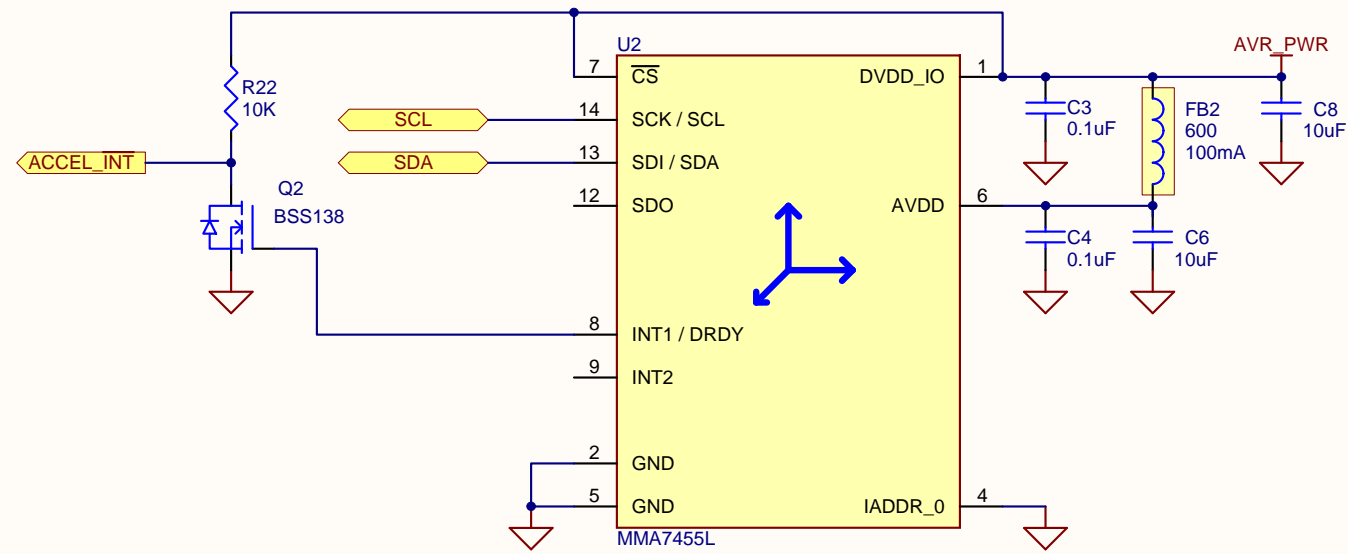
Title AVR & Serial FLASH			
Size: B	Number:	Revision: 8.1.2	
Date: 9/16/2010	Time: 1:53:38 PM	Sheet 2	of 8

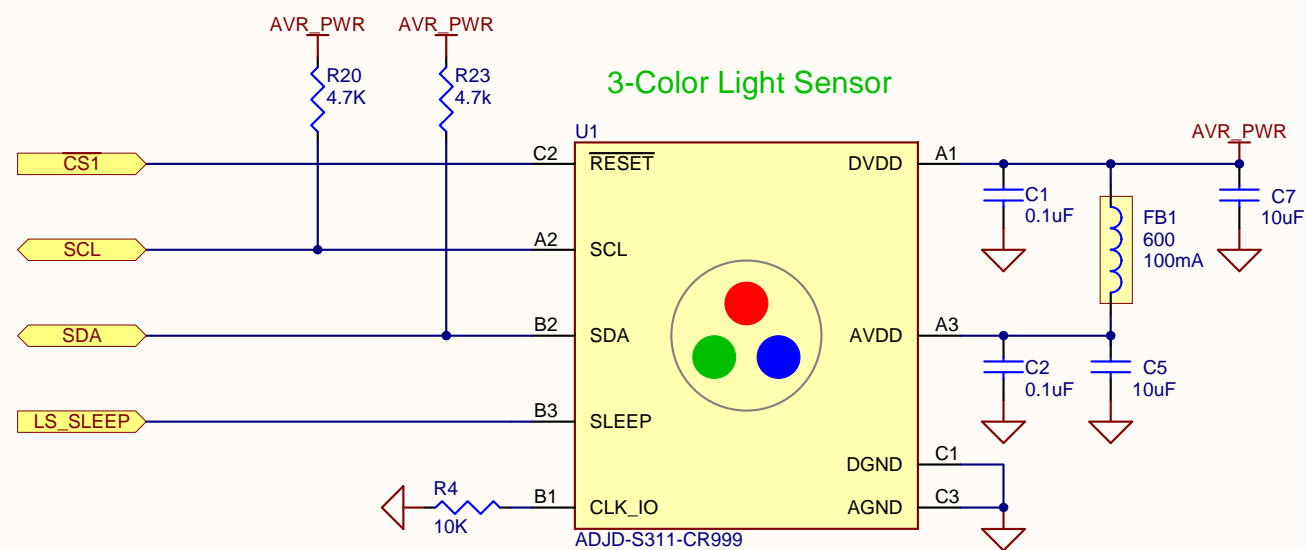
ORACLE
 16 Network Circle
 Menlo Park, CA 94025
 (C) 2010 Oracle Corporation

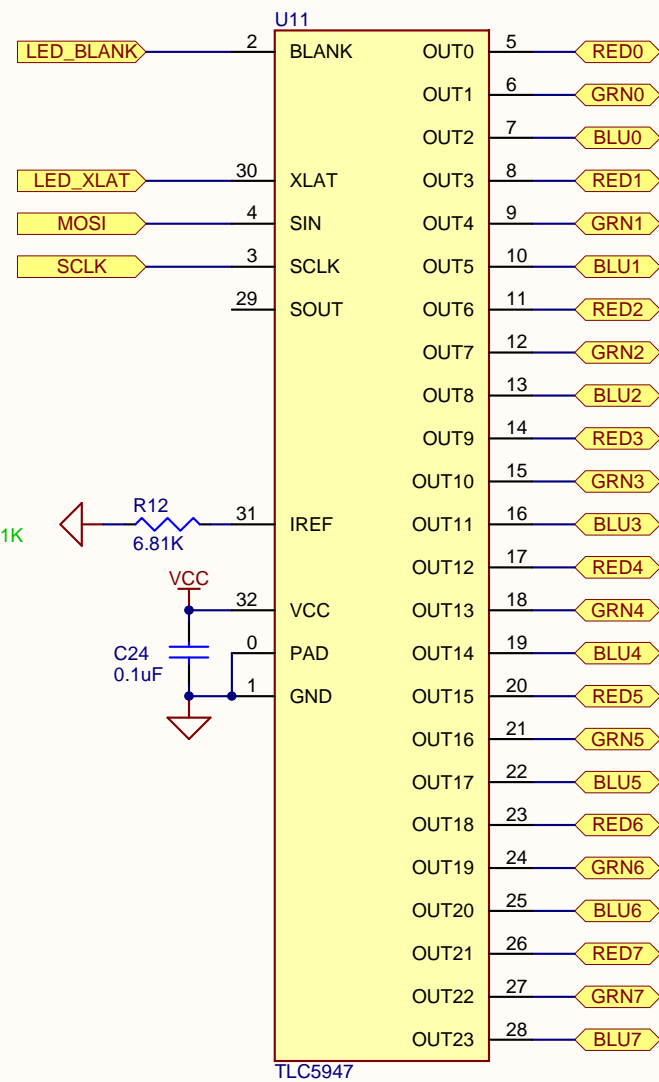
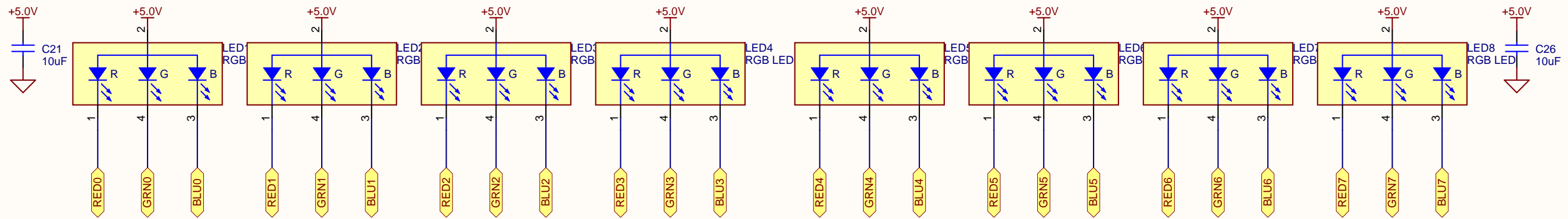


Title I2C Interface with Level Shifting			
Size: B	Number:	Revision: 8.1.2	
Date: 9/16/2010	Time: 1:53:38 PM	Sheet 3 of 8	
			ORACLE® 16 Network Circle Menlo Park, CA 94025 (C) 2010 Oracle Corporation

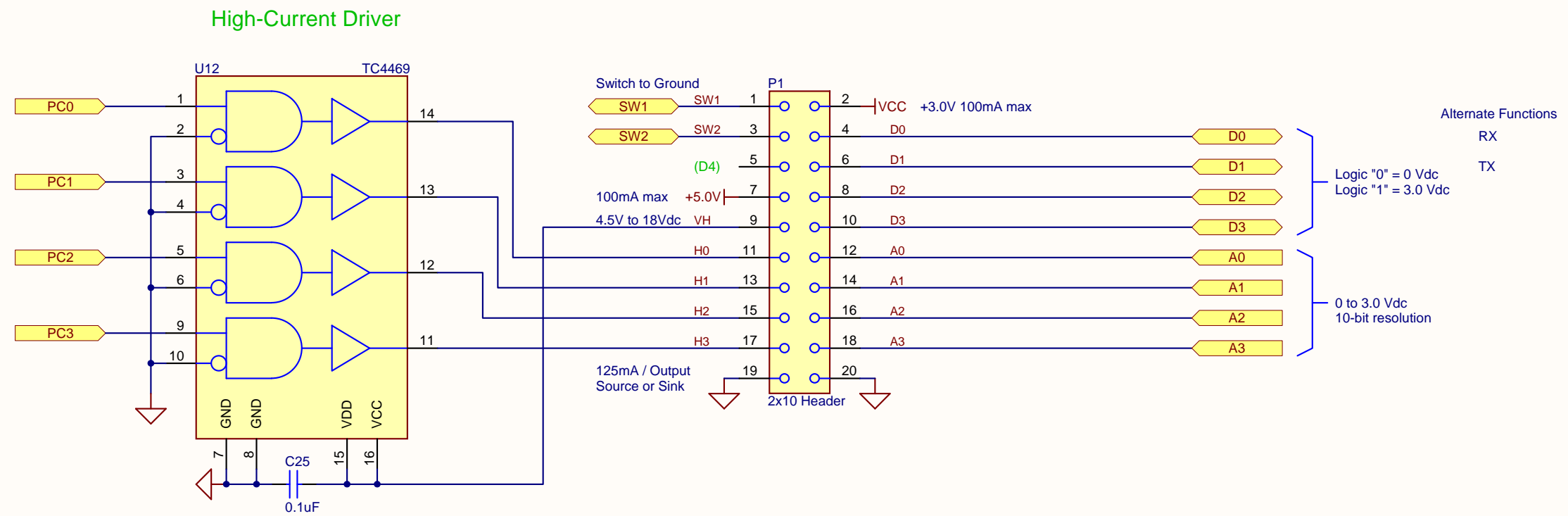
3-Axis Accelerometer







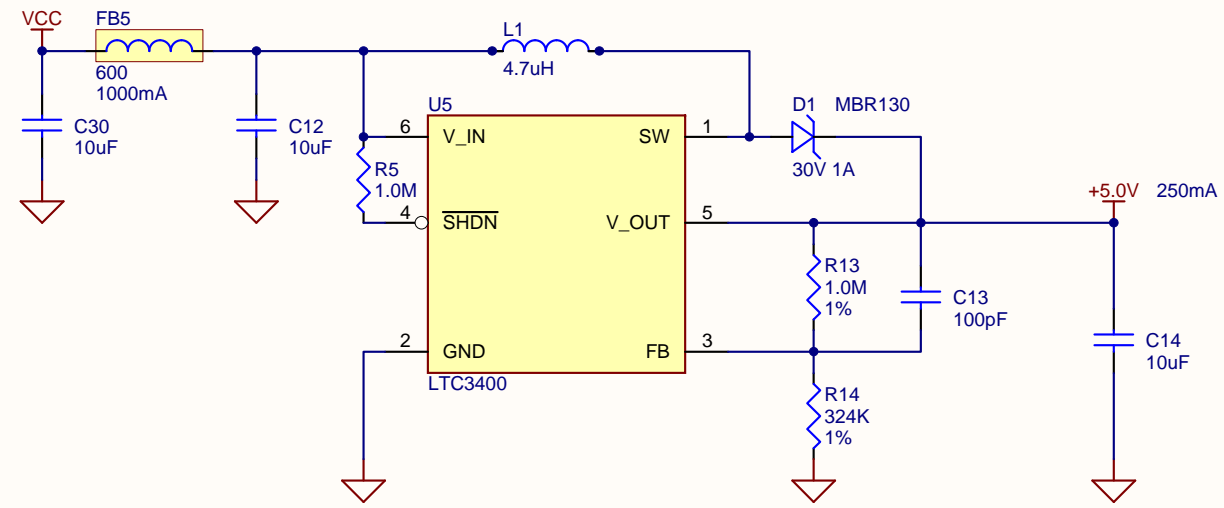
$I_{LEDmax} = 1.2 \cdot 41 / R$
 $I_{LEDmax} = 7.2mA$ using 6.81K



Title I/O		Revision: 8.1.2	
Size: B	Number:	Revision: 8.1.2	
Date: 9/16/2010	Time: 1:53:38 PM	Sheet 7	of 8

ORACLE
 16 Network Circle
 Menlo Park, CA 94025
 (C) 2010 Oracle Corporation

5V DC/DC Converter



- FID1 FID1 Fiducial
- FID2 FID2 Fiducial
- FID3 FID3 Fiducial
- FID4 FID4 Fiducial



Title Power Supply			
Size: B	Number:	Revision: 8.1.2	
Date: 9/16/2010	Time: 1:53:39 PM	Sheet 8	of 8
			ORACLE 16 Network Circle Menlo Park, CA 94025 (C) 2010 Oracle Corporation