

1

2

3

4

5

6

A

A

# eFlash Rev 2.0

B

B

eFlash



eFlash.SchDoc

C

C

D

D

Title Sunspot eFlash Project			Sun Microsystems 16 Network Circle Menlo Park, CA 94025		
Size: B	Number:	Revision: 2.0			
Date: 3/29/2007	Time: 5:08:32 PM	Sheet 1 of 2			

1

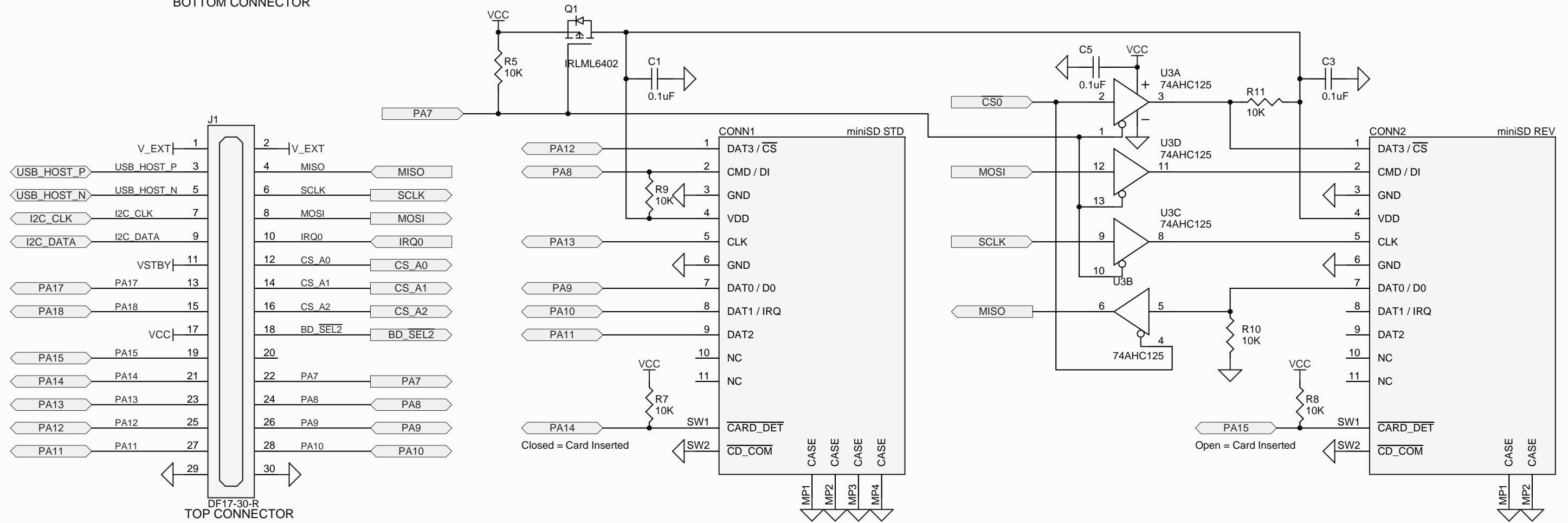
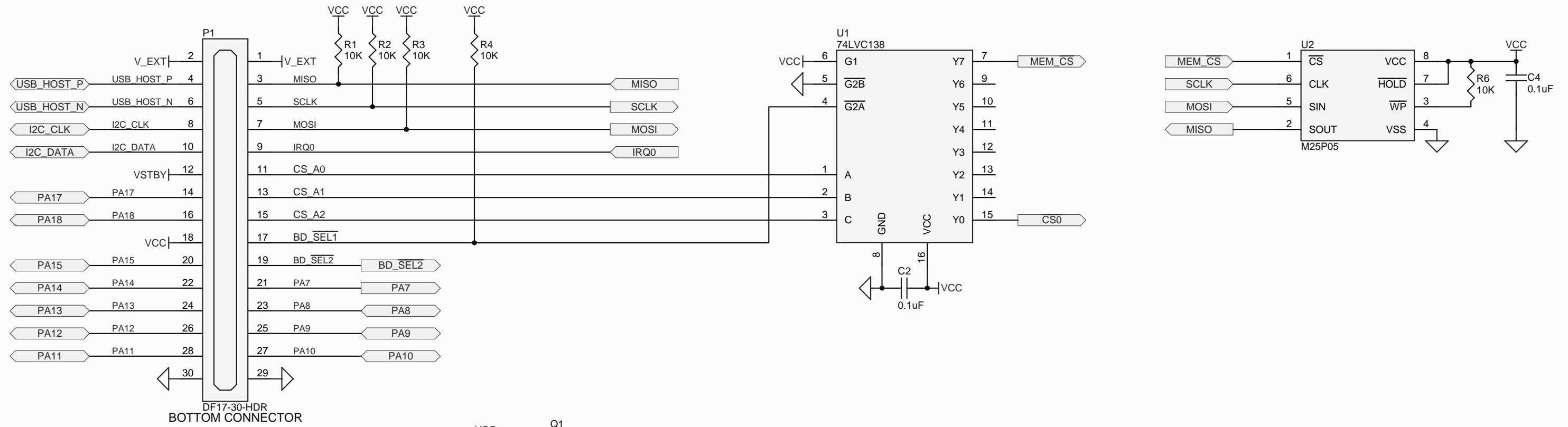
2

3

4

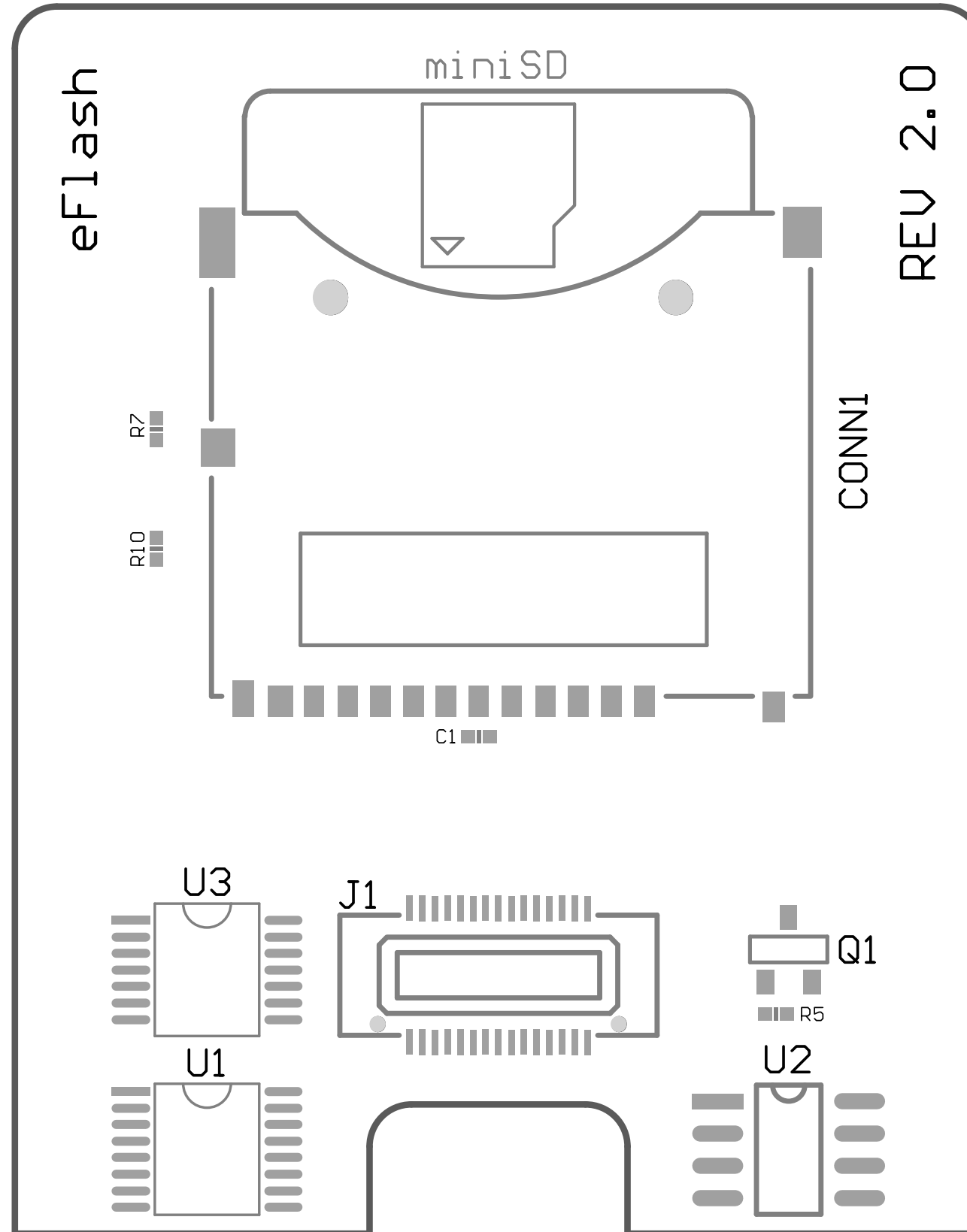
5

6



Title miniSD Flash Memory			Sun Microsystems 16 Network Circle Menlo Park, CA 94025
Size: B	Number:	Revision: 2.0	
Date: 3/29/2007	Time: 5:08:32 PM	Sheet 2 of 2	

eFlash  
ASSEMBLY TOP  
REV 2.0  
501-7972-02-00



eFlash  
ASSEMBLY BOTTOM  
REV 2.0  
501-7972-02-00

