

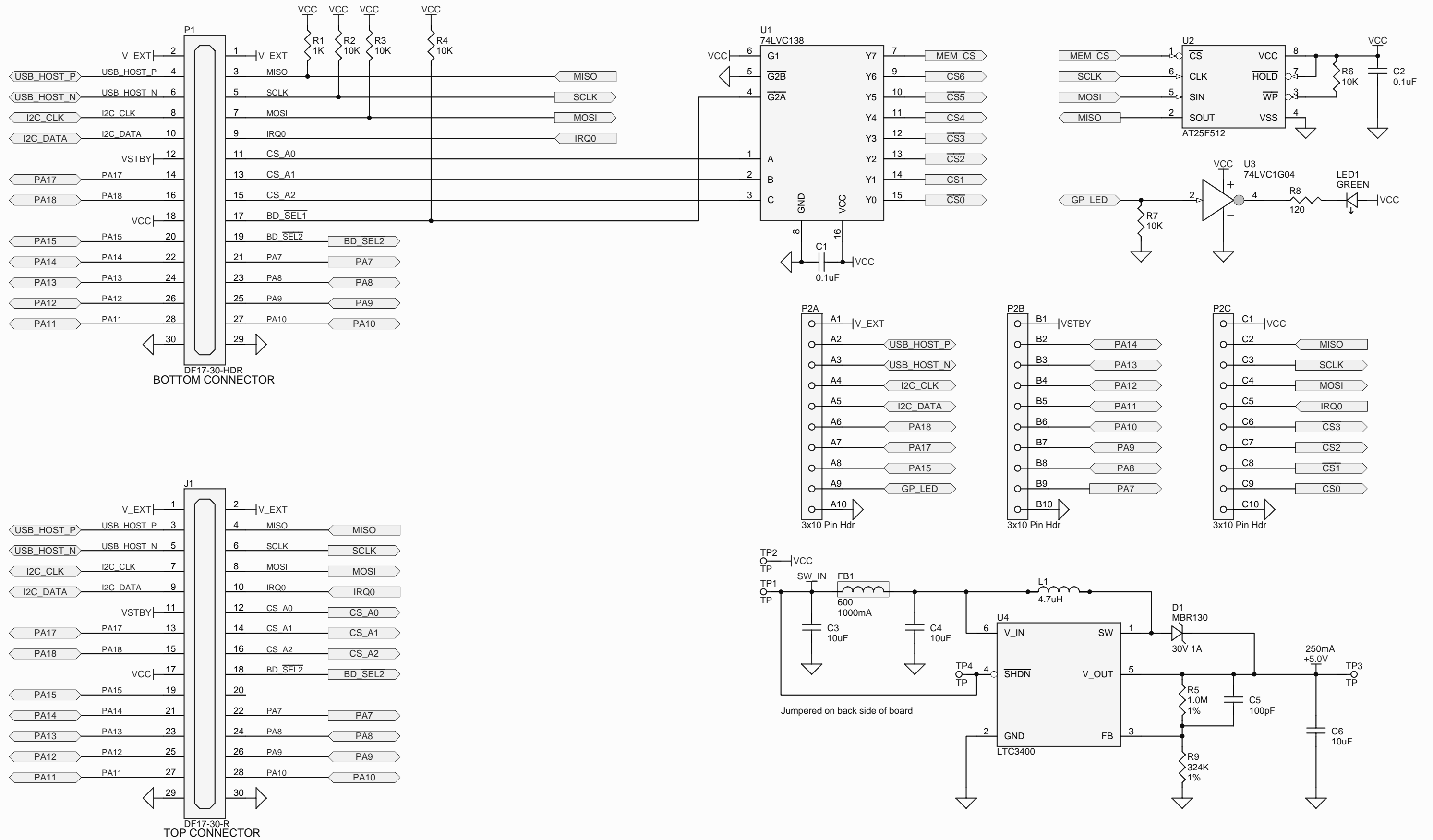
ePROTO Rev 2.0

eProto



eProto.SchDoc

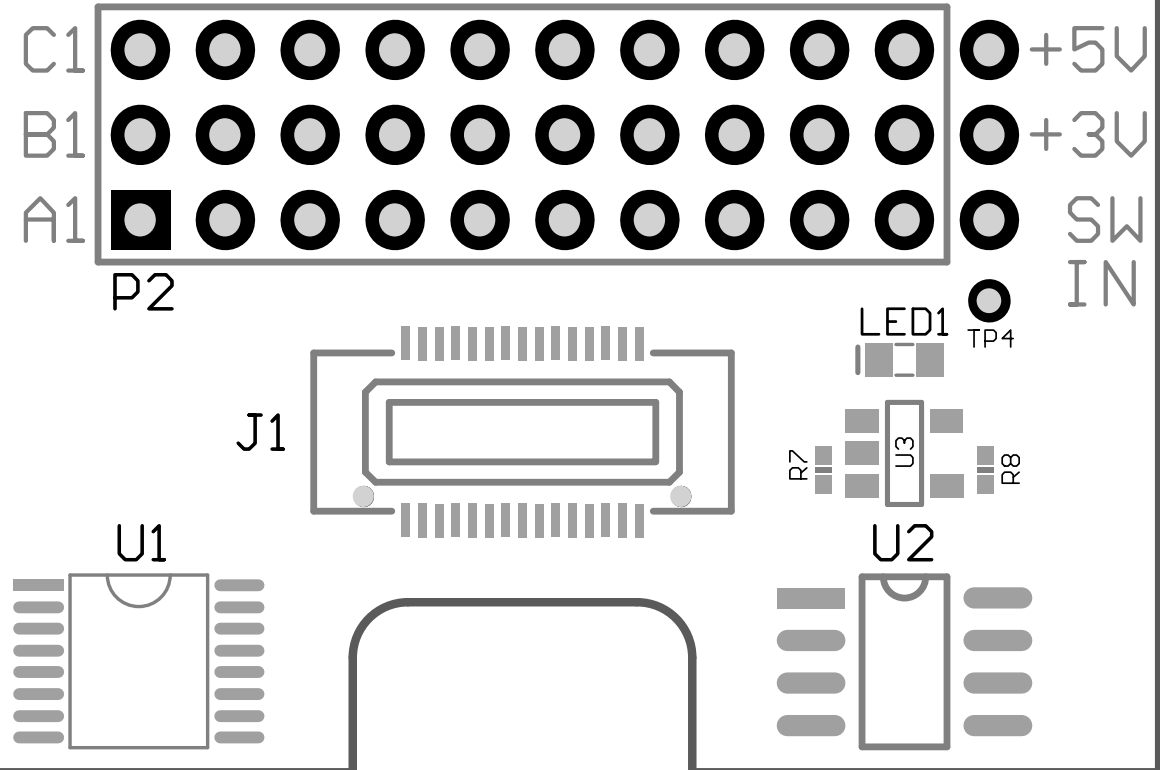
Title Sunspot eProto Board Project			Sun Microsystems 16 Network Circle Menlo Park, CA 94025			
Size: B	Number:	Revision: 2.0				
Date: 7/3/2007	Time: 3:49:07 PM	Sheet 1				of 2



ePROTO
ASSEMBLY TOP
REV 2.0
501-7766-02-00

ePROTO

REV 2.0



ePROTO
ASSEMBLY BOTTOM
REV 2.0
501-7766-02-00

270-7766-02-00

