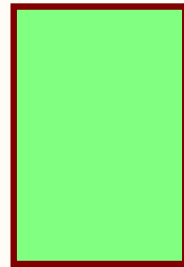


eSPOT

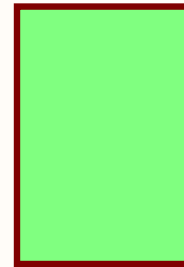
Rev 8.2.2

Micro / Memory



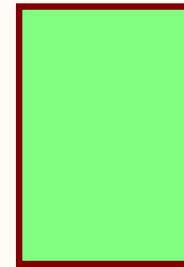
Micro_Memory.SchDoc

Radio Chip



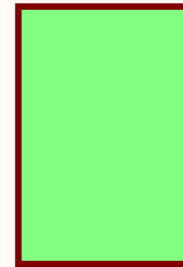
Radio.SchDoc

Power Supply



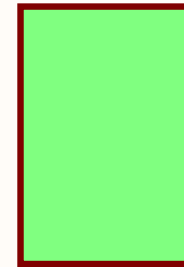
Power_Supply.SchDoc

I/O Connector



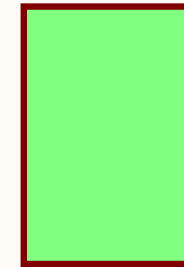
IO_Connector.SchDoc

USB



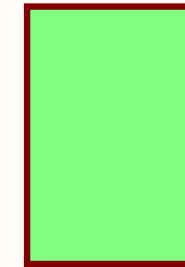
USB.SchDoc

ATMega



ATMega.SchDoc

Micro / Power



Micro_Power.SchDoc

Title Sunspot Wireless Network Processor Project

Size: B

Number:

Revision: 8.2.2

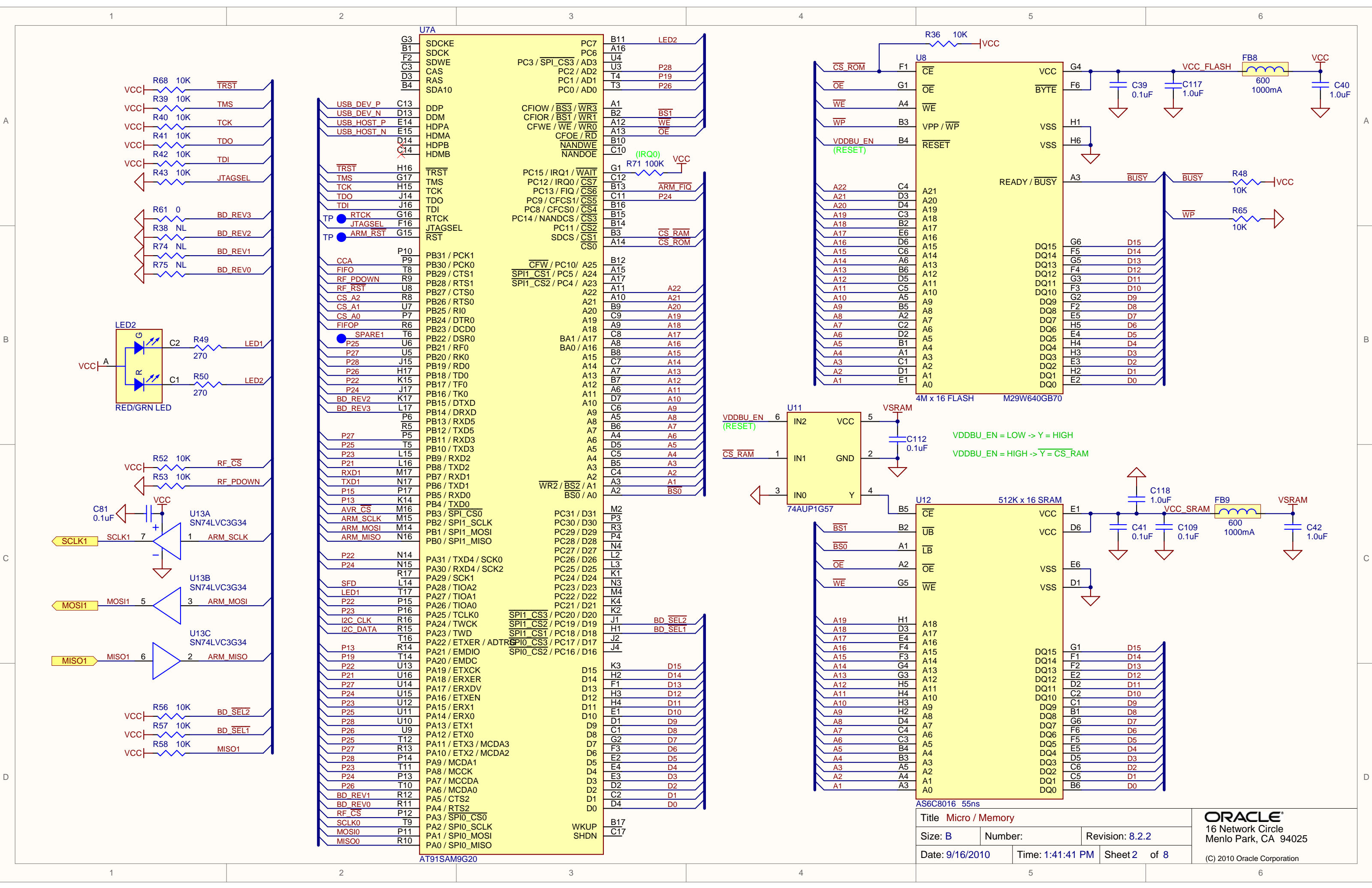
Date: 9/16/2010

Time: 1:41:41 PM

Sheet 1 of 8

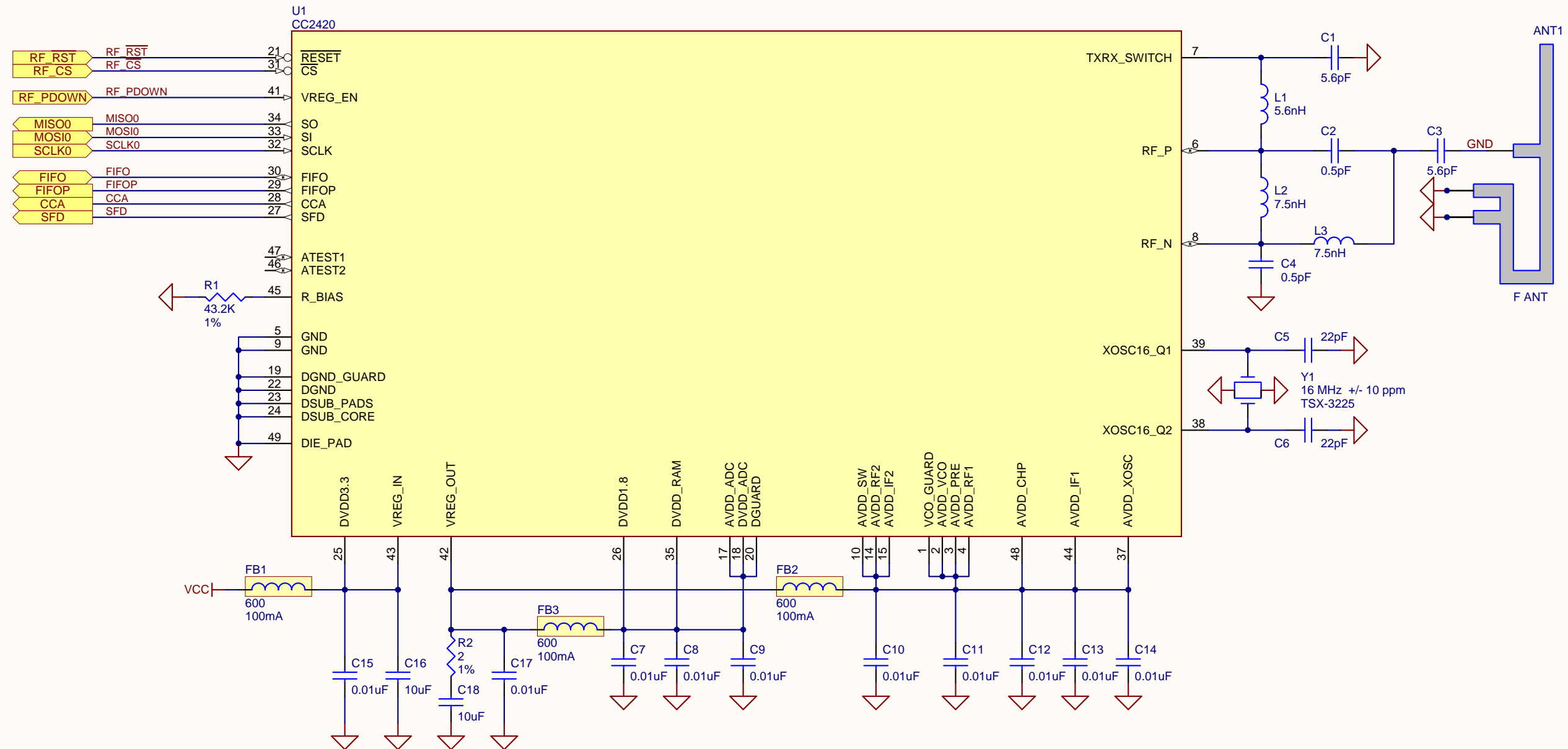
ORACLE
16 Network Circle
Menlo Park, CA 94025

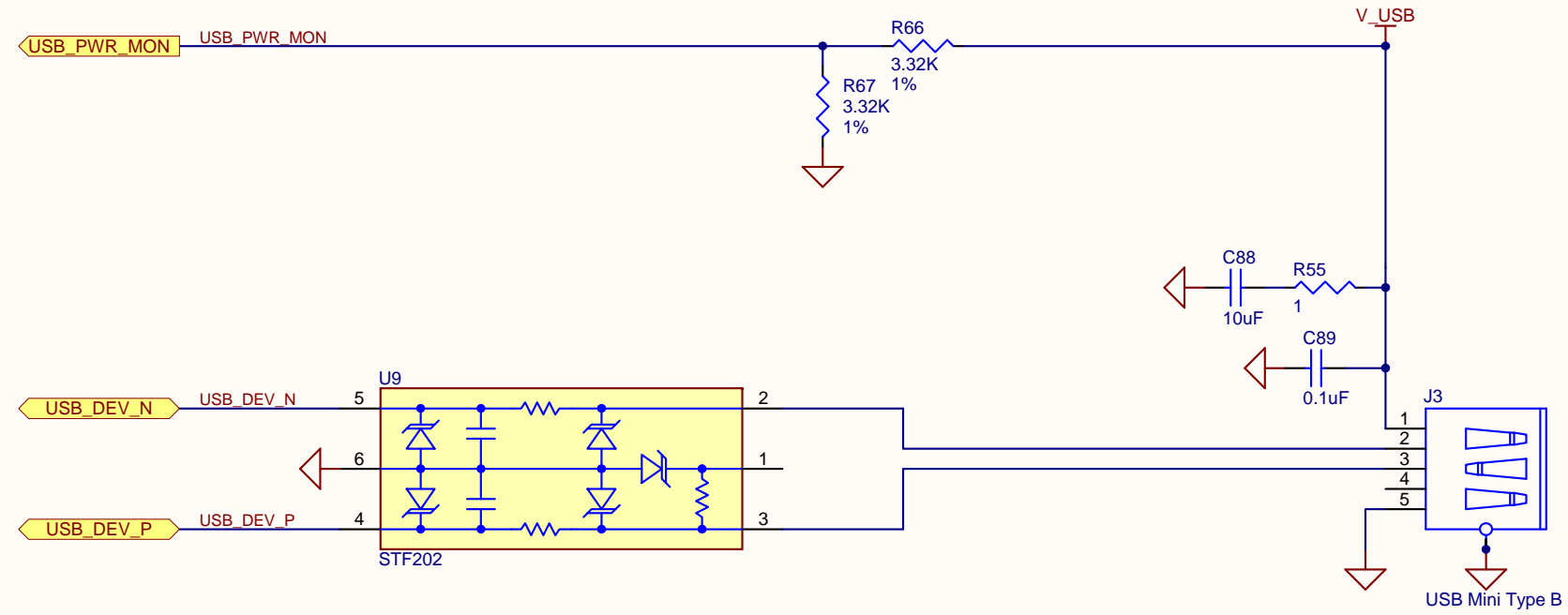
(C) 2010 Oracle Corporation

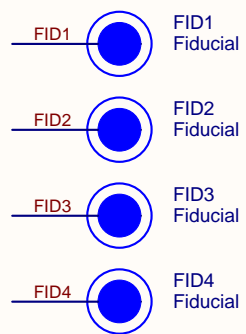
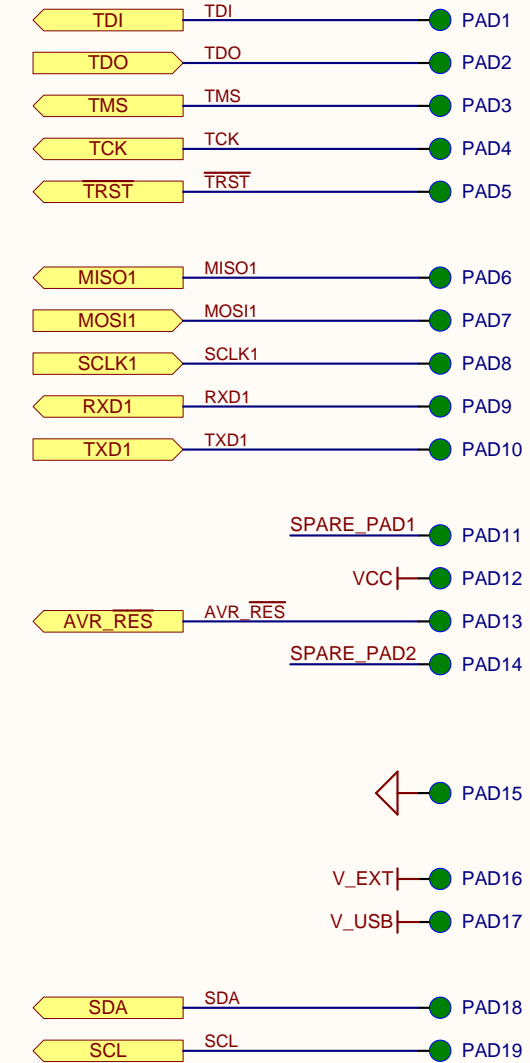
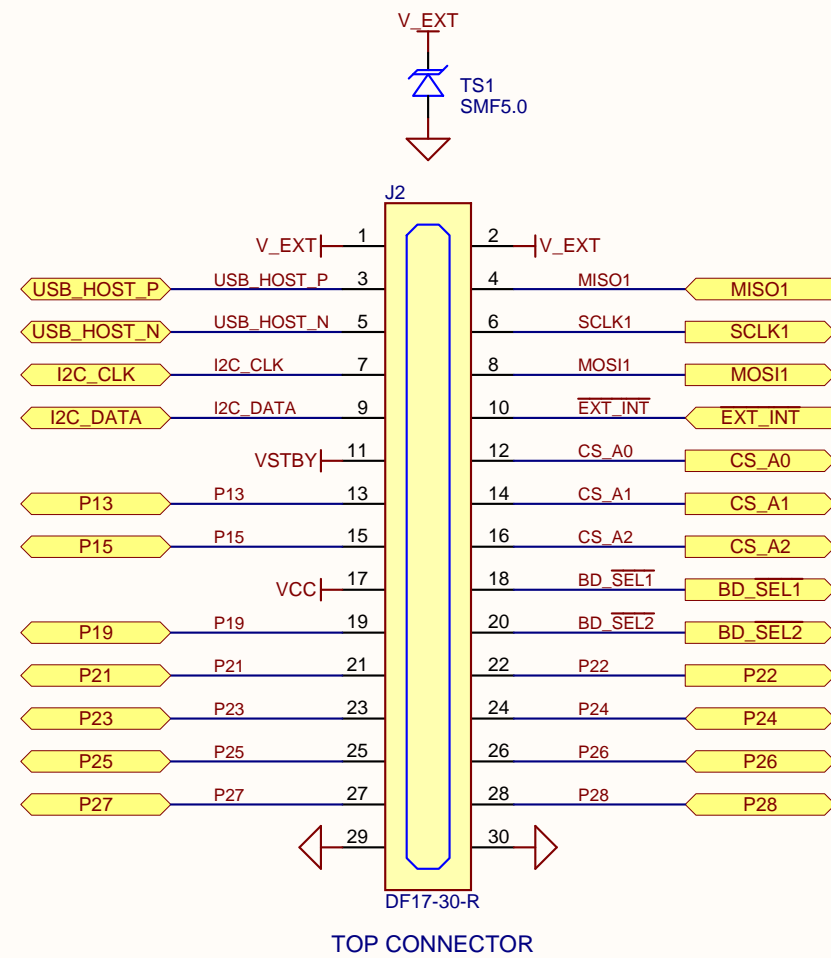


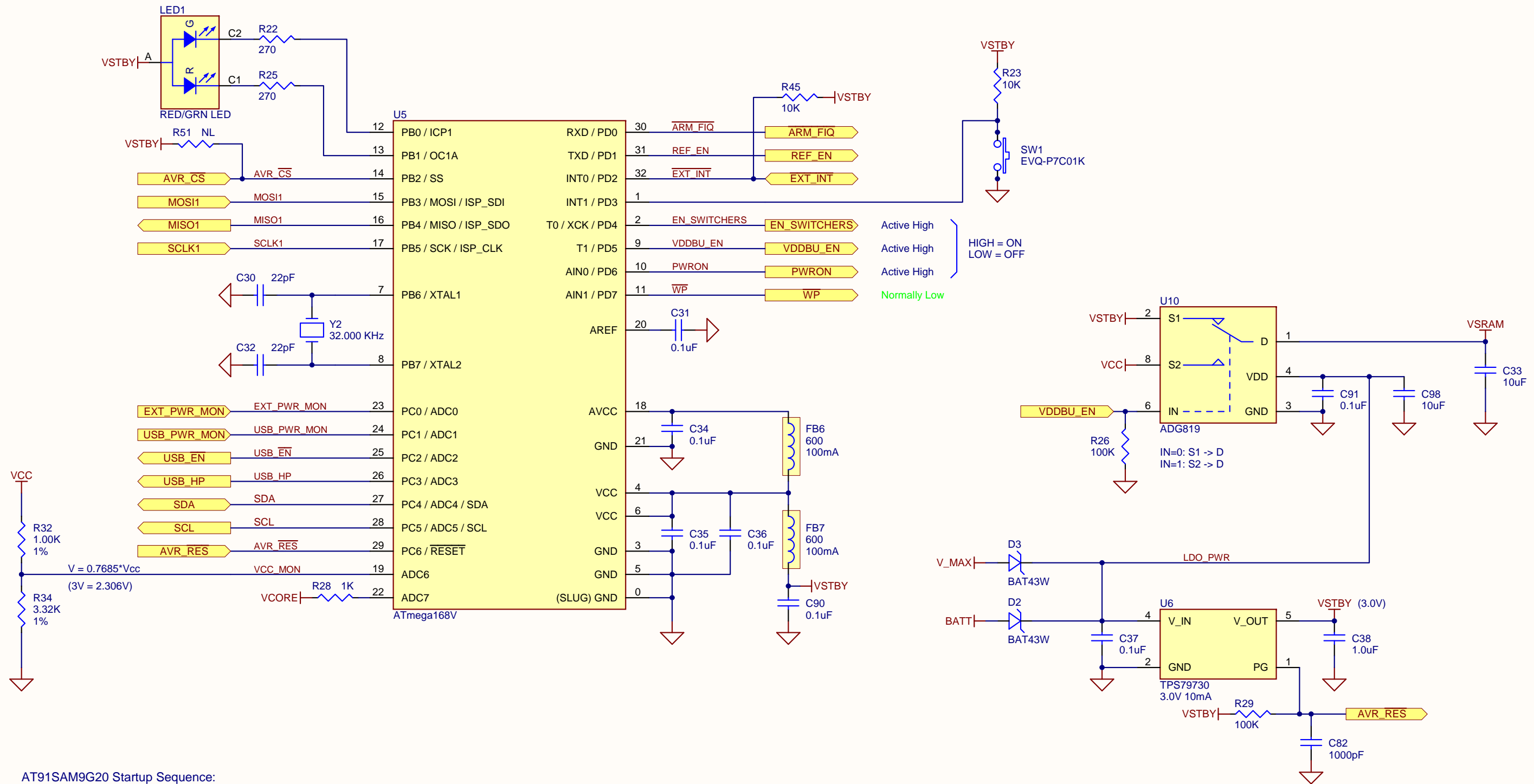
Title		Micro / Memory	
Size: B	Number:	Revision: 8.2.2	
Date: 9/16/2010	Time: 1:41:41 PM	Sheet 2	of 8

ORACLE
 16 Network Circle
 Menlo Park, CA 94025
 (C) 2010 Oracle Corporation



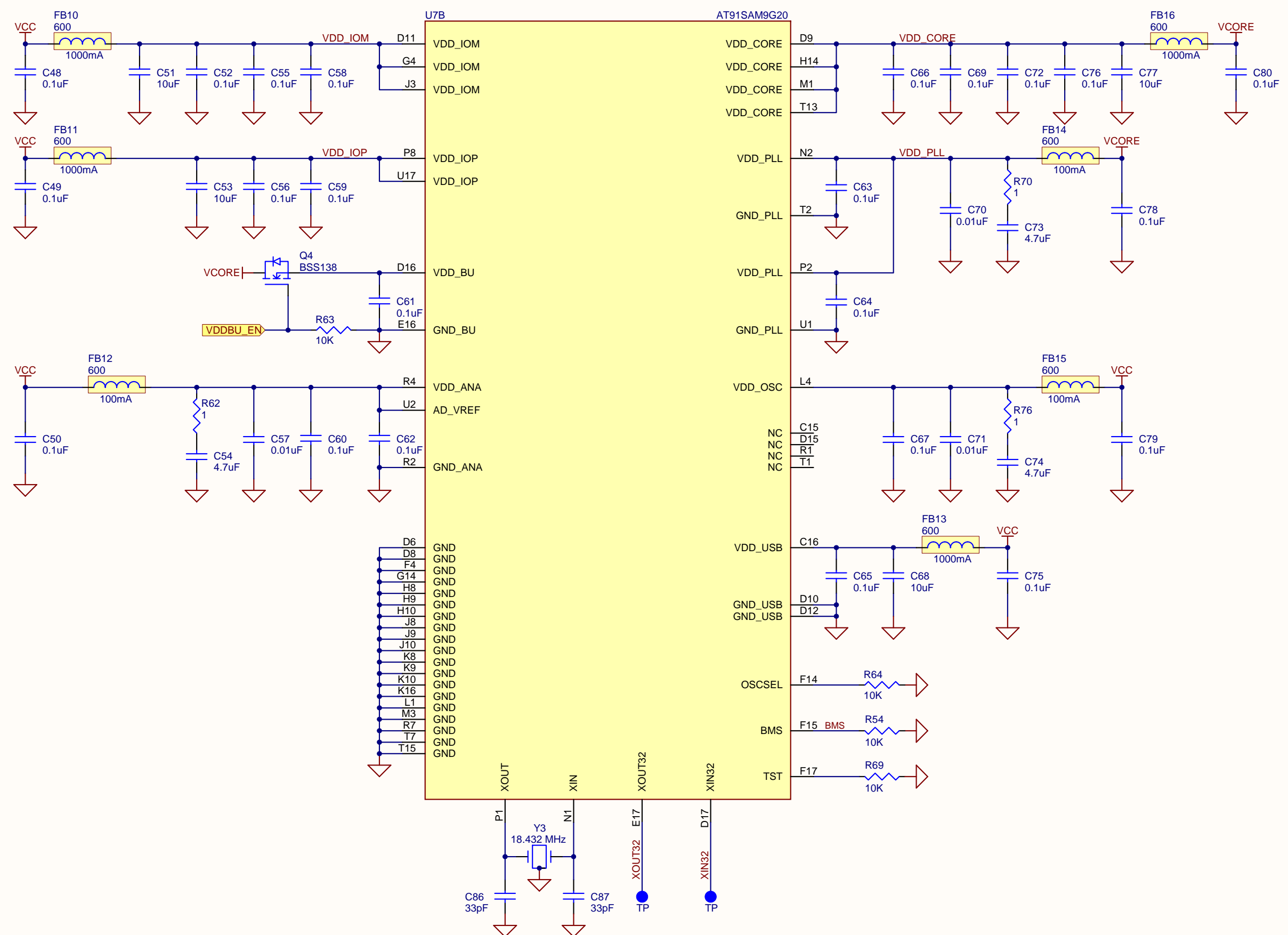




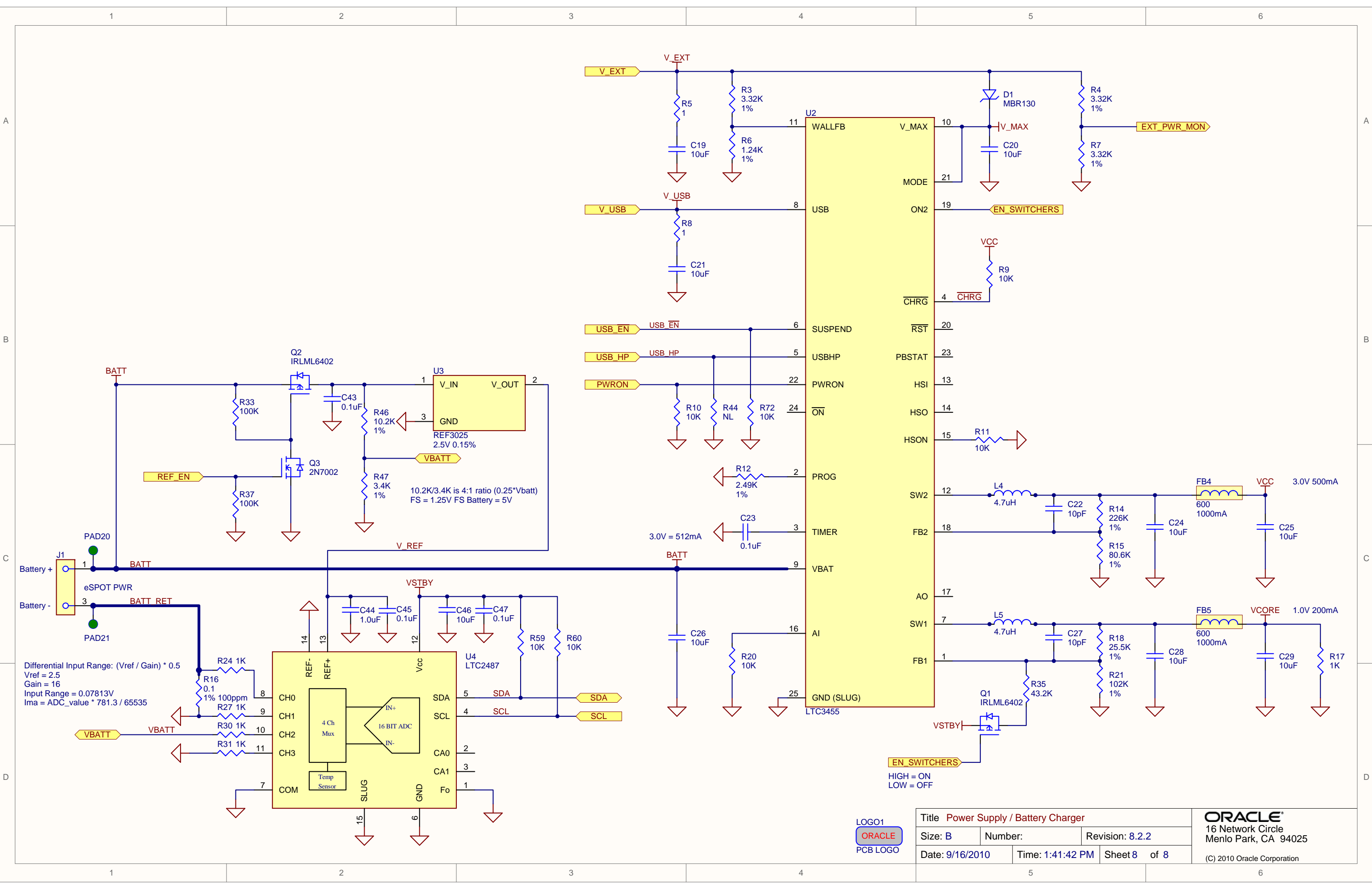


AT91SAM9G20 Startup Sequence:

- Set PWRON = High
- Set EN_SWITCHERS = High
- Wait for 1.0V and 3.0V to stabilize
- Set VDDBU_EN = High
- Wait 150 us for RC clock to start



Title AT91RM9200 Power		ORACLE® 16 Network Circle Menlo Park, CA 94025	
Size: B	Number:	Revision: 8.2.2	
Date: 9/16/2010	Time: 1:41:42 PM	Sheet 7 of 8	
		(C) 2010 Oracle Corporation	



Differential Input Range: $(V_{ref} / Gain) * 0.5$
 $V_{ref} = 2.5$
 $Gain = 16$
 $Input\ Range = 0.07813V$
 $I_{ma} = ADC_value * 781.3 / 65535$



Title Power Supply / Battery Charger			
Size: B	Number:	Revision: 8.2.2	
Date: 9/16/2010	Time: 1:41:42 PM	Sheet 8	of 8
			ORACLE 16 Network Circle Menlo Park, CA 94025 (C) 2010 Oracle Corporation