

1

2

3

4

5

6

A

A

B

B

C

C

D

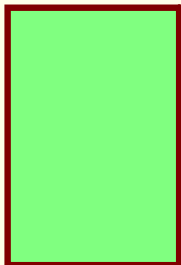
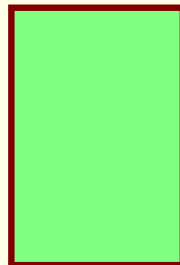
D

eThumpre

Rev 2.0

Processor

Sensors



Processor.SchDoc

Sensors.schdoc

(C) 2009 Sun Microsystems, Inc.

Title ethumpre Project			Sun Microsystems 16 Network Circle Menlo Park, CA 94025		
Size: B	Number: 1	Revision: 2.0			
Date: 12/1/2009	Time: 1:27:00 PM	Sheet 1	of 3		

1

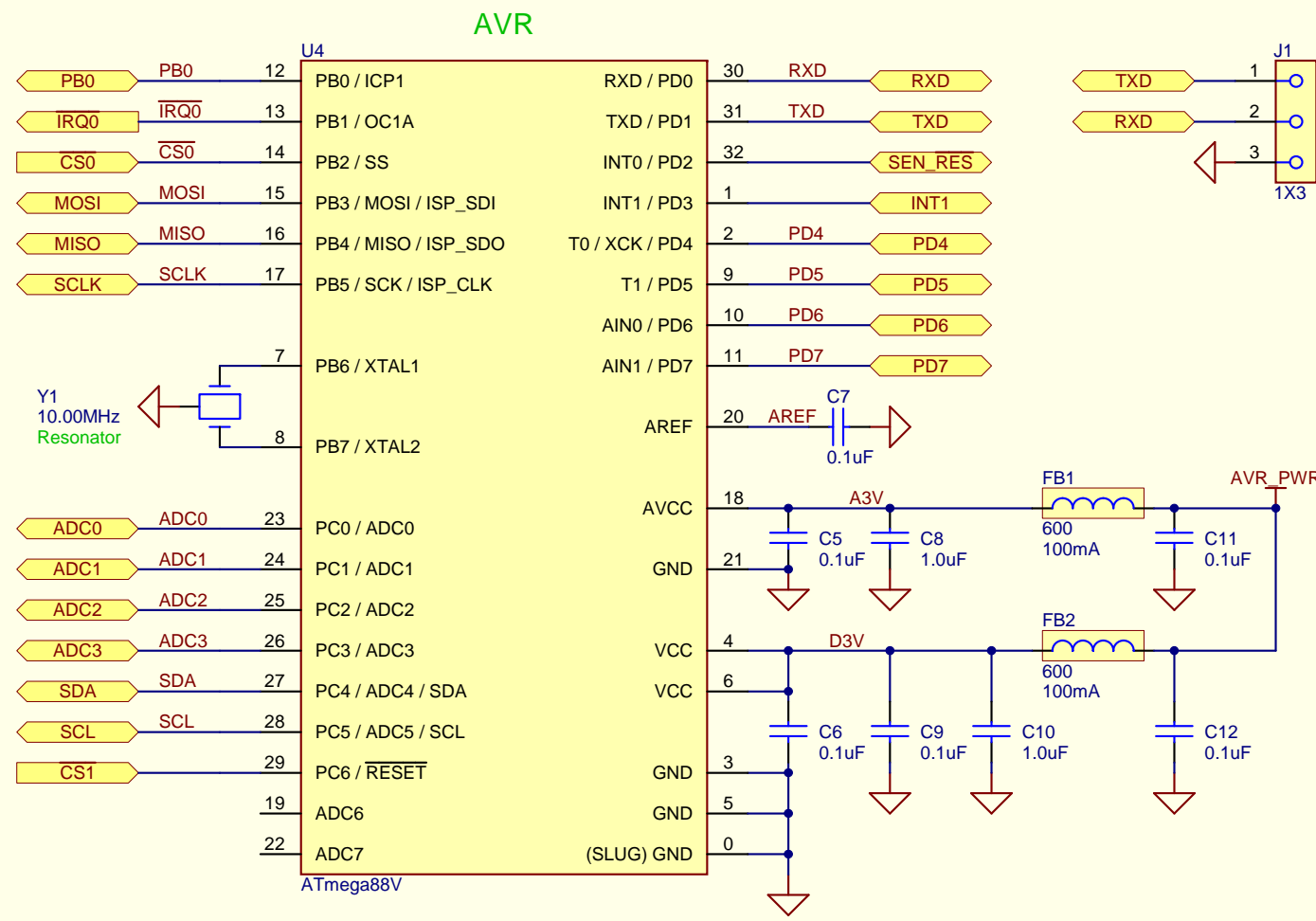
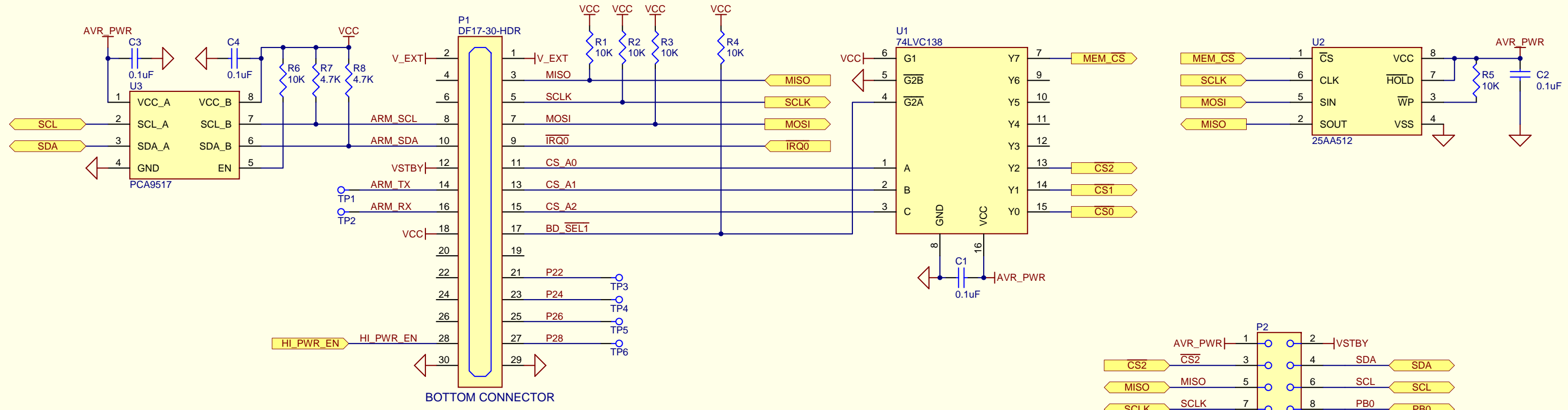
2

3

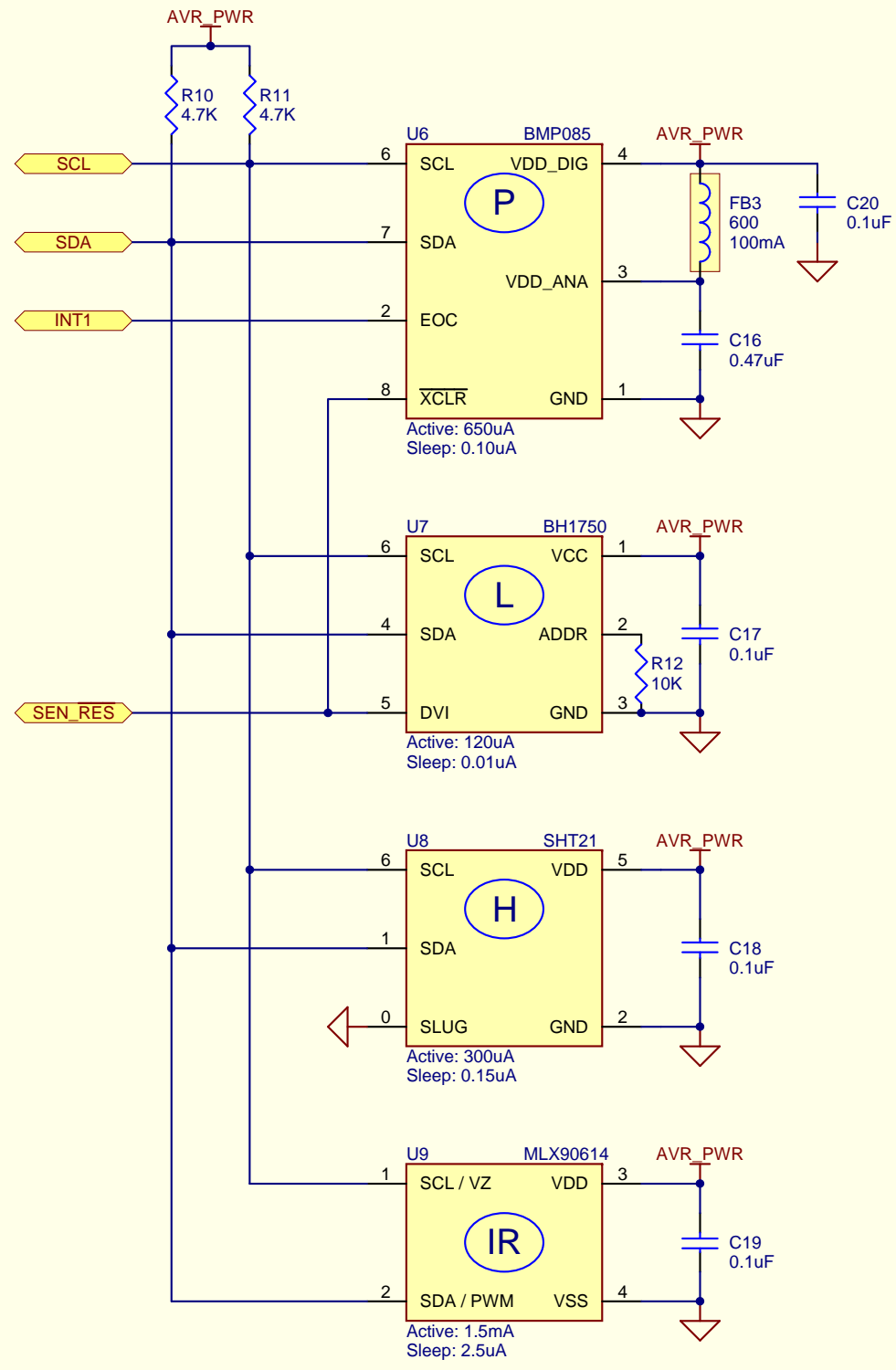
4

5

6



(C) 2009 Sun Microsystems, Inc.



Pressure Range: 300 - 1100 hPa (-500m below sea level to +9000m above sea level)
 Resolution: 0.01 hPa
 Accuracy: 1.0 hPa (0 to 65 C)
 Temperature Range: 0 - 65 C ???
 Resolution: 0.1 C
 Accuracy: 1.0 deg C (0 - 65 C)
 Device Adr: 0xEE

Light Range: 1 - 65535 lx
 Resolution: 1 lx or 4 lx (software selectable)
 Device Adr: 0x46

Humidity Range: 0 - 100 % RH
 Resolution: 0.03% (12-bits), 0.5% (8-bits)
 Accuracy: 1.5% RH
 Temperature Range: -40 to +125 C
 Resolution: 0.01 C (14-bits), 0.04 C (12-bits)
 Accuracy: 0.3 C
 Device Adr: 0x80

Sensing Temperature Range: -70 to +380 C
 Resolution: 0.02 C
 Accuracy: 0.5 C
 Default Slave Adr: 0x00

(C) 2009 Sun Microsystems, Inc.

Title Sensors				Sun Microsystems 16 Newark Circle Menlo Park, CA 94025	
Size: B	Number: 4	Revision: 2.0			
Date: 12/1/2009	Time: 1:27:00 PM	Sheet 3	of 3		