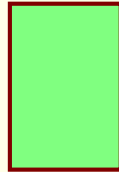


etherspot

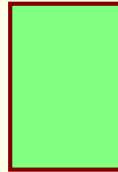
Rev 1.0

Interface



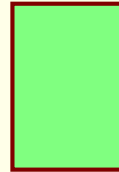
Interface.schdoc

Processor



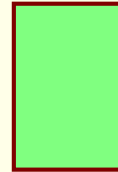
Processor.schdoc

Power



Power.SchDoc

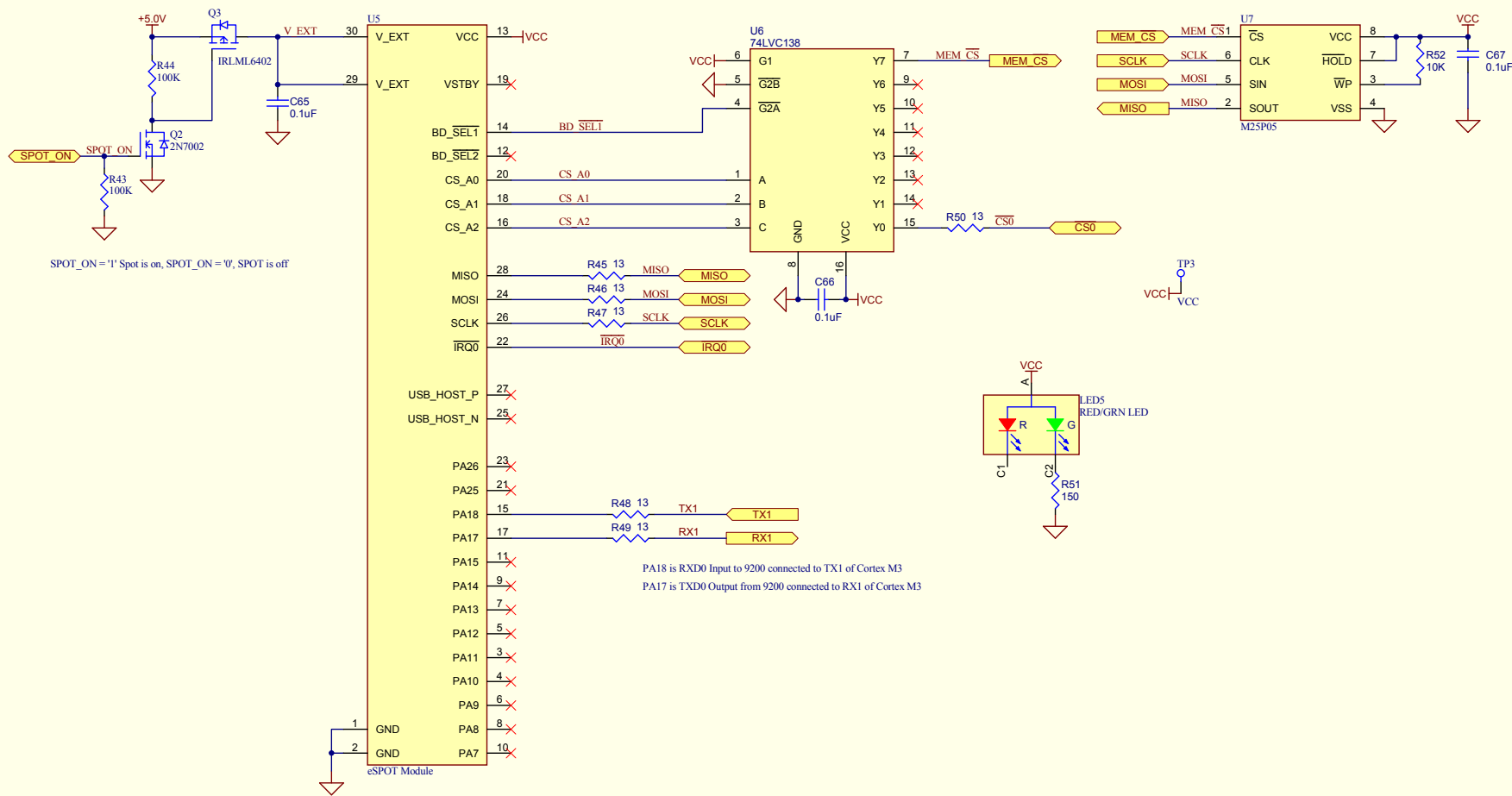
POE



POE.SchDoc

(C) 2009 Sun Microsystems, Inc.

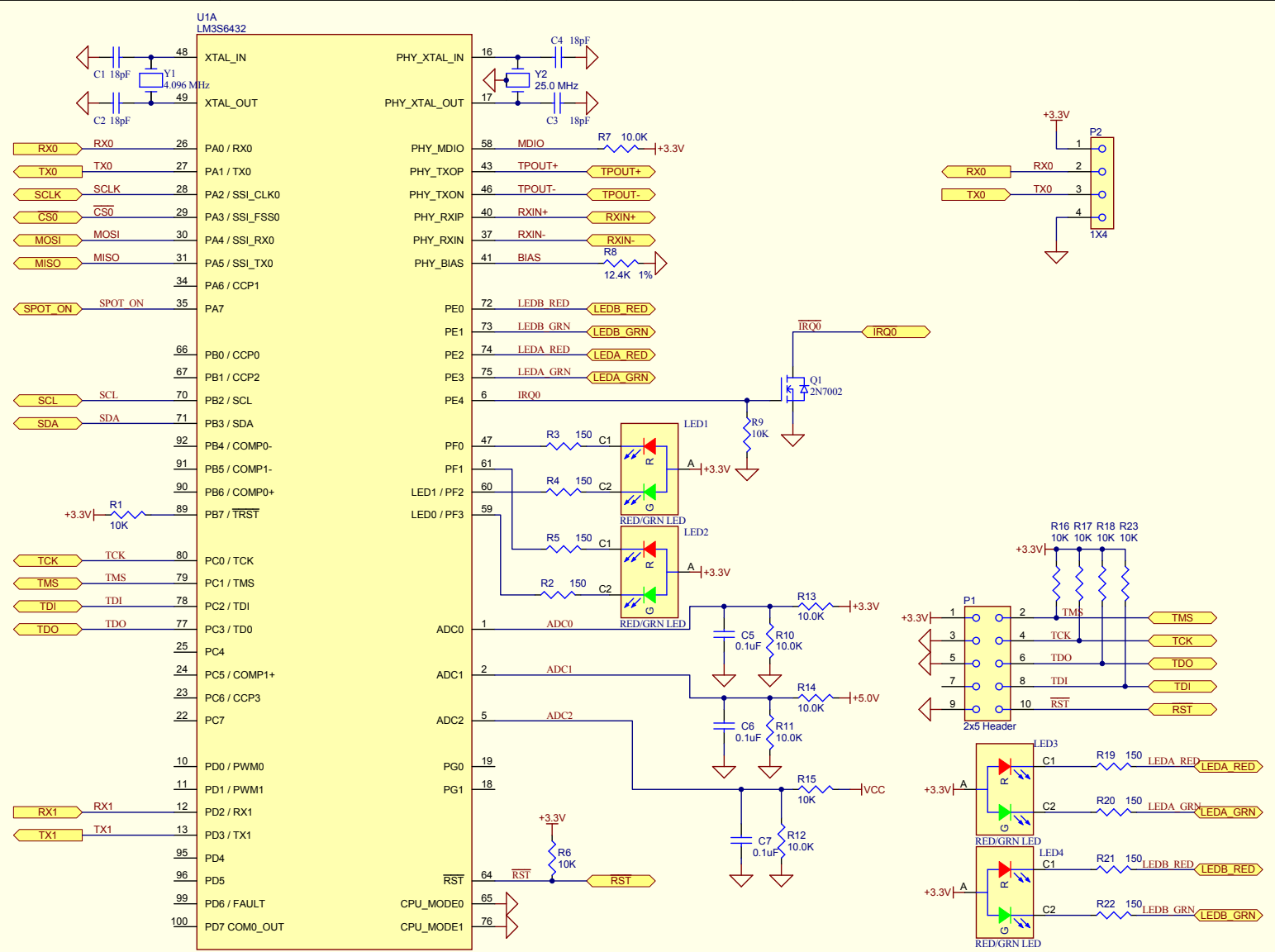
Title ethersPOT Project			Sun Microsystems 16 Network Circle Menlo Park, CA 94025		
Size: B	Number: 1	Revision: 1.0			
Date: 1/17/2010	Time: 4:16:38 PM	Sheet 1 of 5			



PA18 is RXD0 Input to 9200 connected to TX1 of Cortex M3
 PA17 is TXD0 Output from 9200 connected to RX1 of Cortex M3

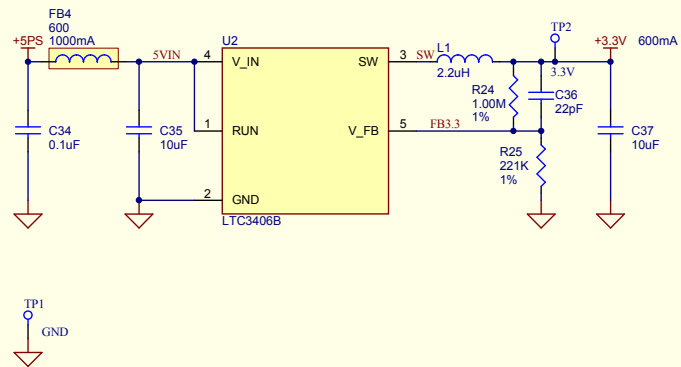
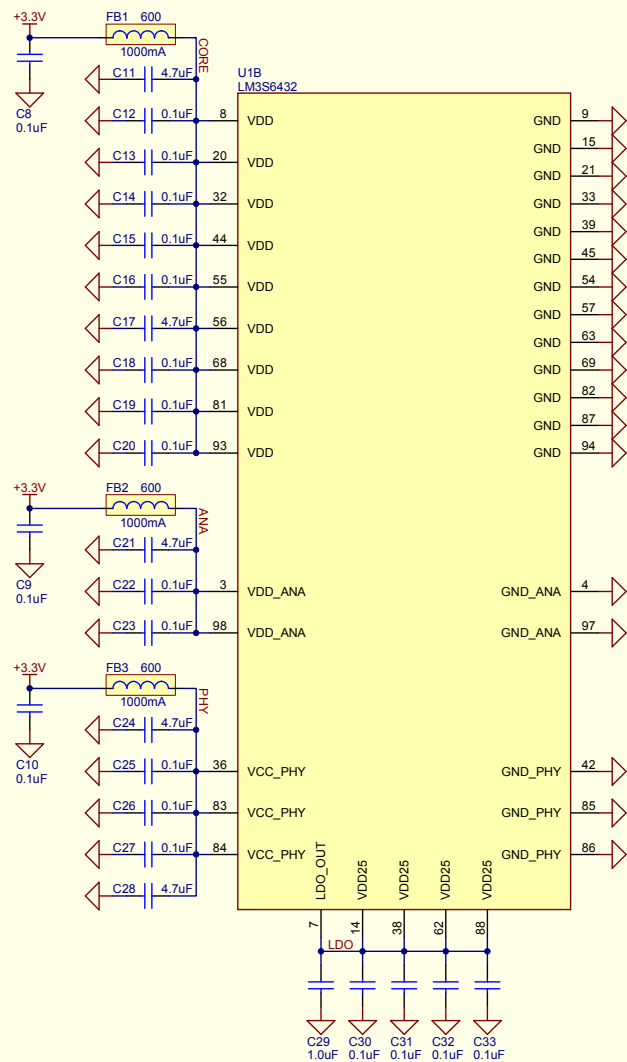
(C) 2009 Sun Microsystems, Inc.

Title Interface			Sun Microsystems 16 Network Circle Mento Park, CA 94025		
Size: B	Number: 2	Revision: 1.0			
Date: 1/17/2010	Time: 4:16:38 PM	Sheet 2	of 5		



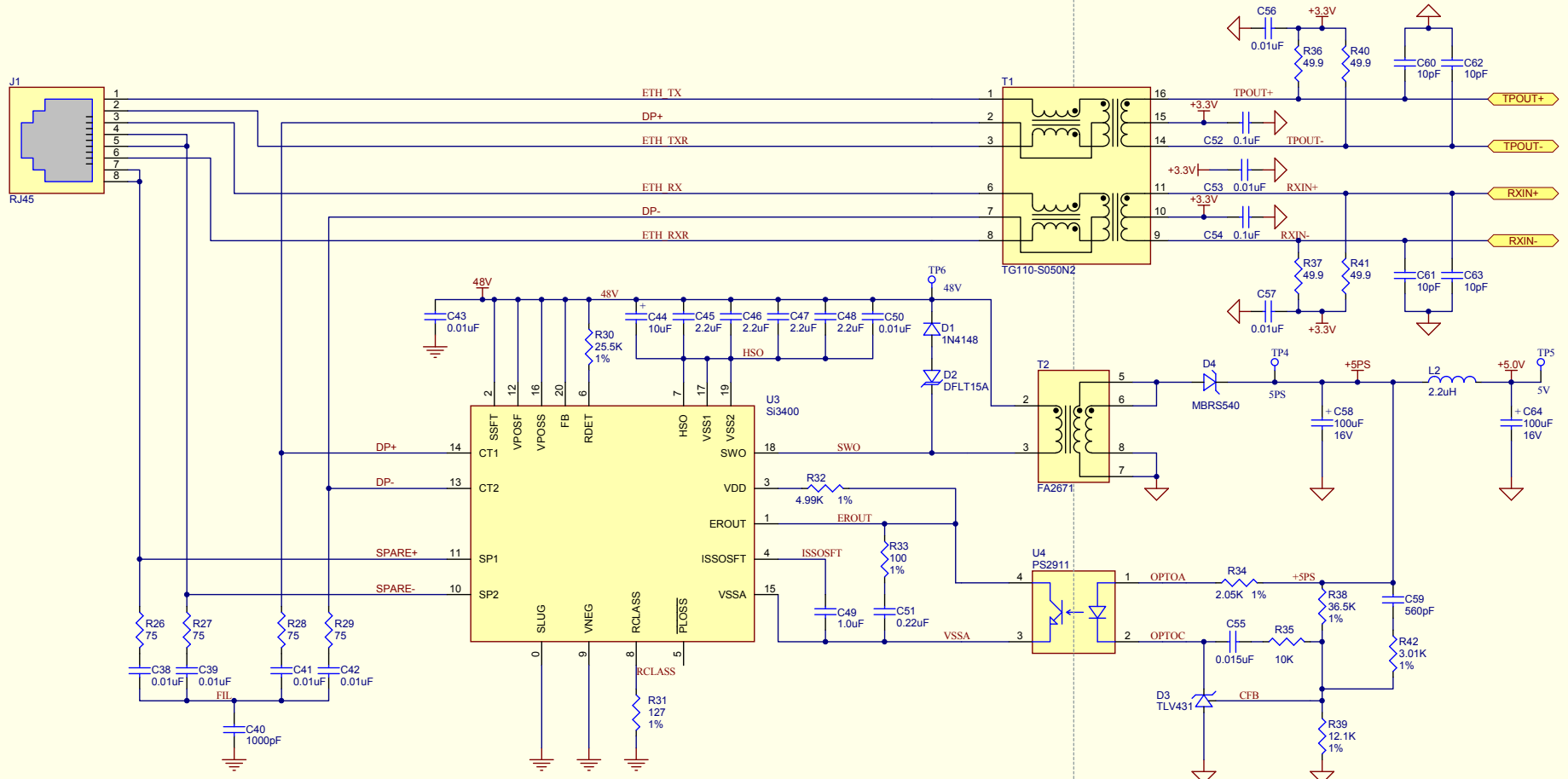
(C) 2009 Sun Microsystems, Inc.

Title Processor			Sun Microsystems 16 Network Circle Menlo Park, CA 94025	
Size: B	Number: 3	Revision: 1.0		
Date: 1/17/2010	Time: 4:16:38 PM	Sheet 3	of 5	



(C) 2009 Sun Microsystems, Inc.

Title Power			Sun Microsystems 16 Network Circle Menlo Park, CA 94025	
Size: B	Number: 4	Revision: 1.0		
Date: 1/17/2010	Time: 4:16:38 PM	Sheet 4 of 5		



(C) 2009 Sun Microsystems, Inc.

Title POE (Power over Ethernet)			Sun Microsystems 16 Network Circle Menlo Park, CA 94025
Size: B	Number: 5	Revision: 1.0	
Date: 1/17/2010	Time: 4:16:38 PM	Sheet 5 of 5	