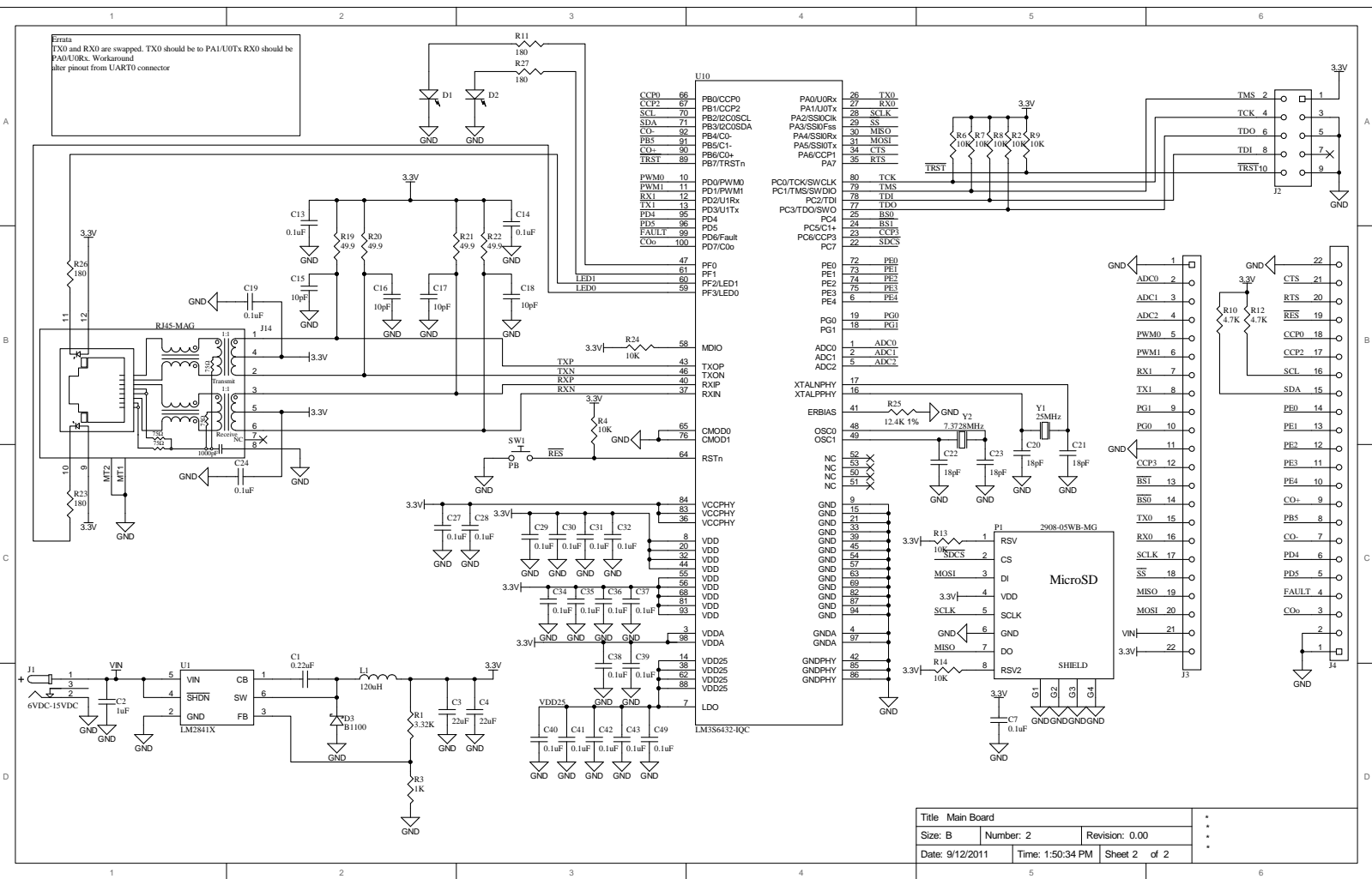


Errata
TX0 and RX0 are swapped. TX0 should be to PA1U0Tx RX0 should be PA1U0Rx. Workaround after pinout from UART0 connector



Title Main Board			
Size: B	Number: 2	Revision: 0.00	
Date: 9/12/2011	Time: 1:50:34 PM	Sheet 2 of 2	